



# XJR1300

## PAPER CRAFT

### Assembly Instructions



Thank you for downloading the "XJR1300" paper craft model. By simply following this manual while referring to the names and numbers shown on the parts sheets, you can assemble an authentic-looking replica of the XJR1300.

- Assembly instructions: Fourteen A4-sized sheets.
- Paper craft: Nineteen A4-sized sheets with 185 parts in all

These instructions apply only to the "XJR1300".

These Paper Craft parts are easier to work with when printed out on strong, thick paper (like postcard stock).

\*In creating these Paper Craft models we use 135kg Kent paper stock (0.18mm).

## TO BEGIN

### ■ Tools and materials needed

-Ruler -Scissors - Blade cutter or "Exacto-knife" - Awl or other pointed tool (for making a folding crease) - Felt pen - Pin set - Glue - Hand towel ( for cleaning your fingers) - Dictionary or other heavy book ( to press the papers flat)

### ■ Items of Caution

\*Take care when using sharp or pointed objects or when using bladed cutting tools. Place a heavy sheet of paper under the paper you want to cut.

\*Use glue and other adhesives only in well-ventilated areas.

\*When printing, use a slightly reduced font size as there are many differences in dimensions depending on the type of printer used.

## HOW TO ASSEMBLE

\*Follow the working method and markings carefully.

\*Cut carefully along the outer line with a cutting blade, Exacto-knife or scissors.

### One - point Advice

\*Cut carefully with a cutting blade, Exacto-knife or scissors.

\*For folding parts, first use an awl or other pointed tool to make a light crease along the dotted or solid line. This will make the folds straight. Avoid making strong creases, as this will cause the paper to tear.

\*As an adhesive, white wood glue is recommended. Avoid over-application as this will cause the paper to wrinkle.

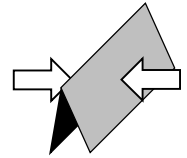
\*Before beginning assembly, test adhesive amounts on extra paper.

\*Occasionally, white spots will be apparent on folds and cuts. Use a marker or pencil to fill-in these spots. It is recommended that this be done after each stage of assembly because coloring becomes more difficult once parts are assembled.

## Basic working method and markings

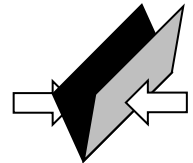
### Solid lines

Fold along these lines. The printed surface should be on the outside of the folded shape.



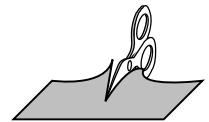
### Broken lines

Fold along these lines. The printed surface should be on the inside of the folded shape.

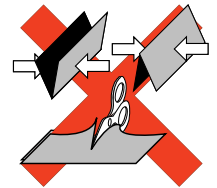


### Dotted line

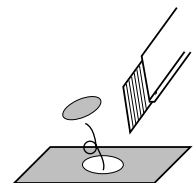
Cut along these lines



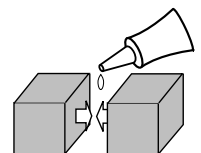
Do not fold or cut the parts marked .



Cut out parts marked with an asterisk (\*).



Red dots are the reference positions for gluing surfaces.



# 1 Assembling the Fuel Tank

First, assemble each component by following the working method and markings. Then, refer to the illustration and photos below to glue the parts together.

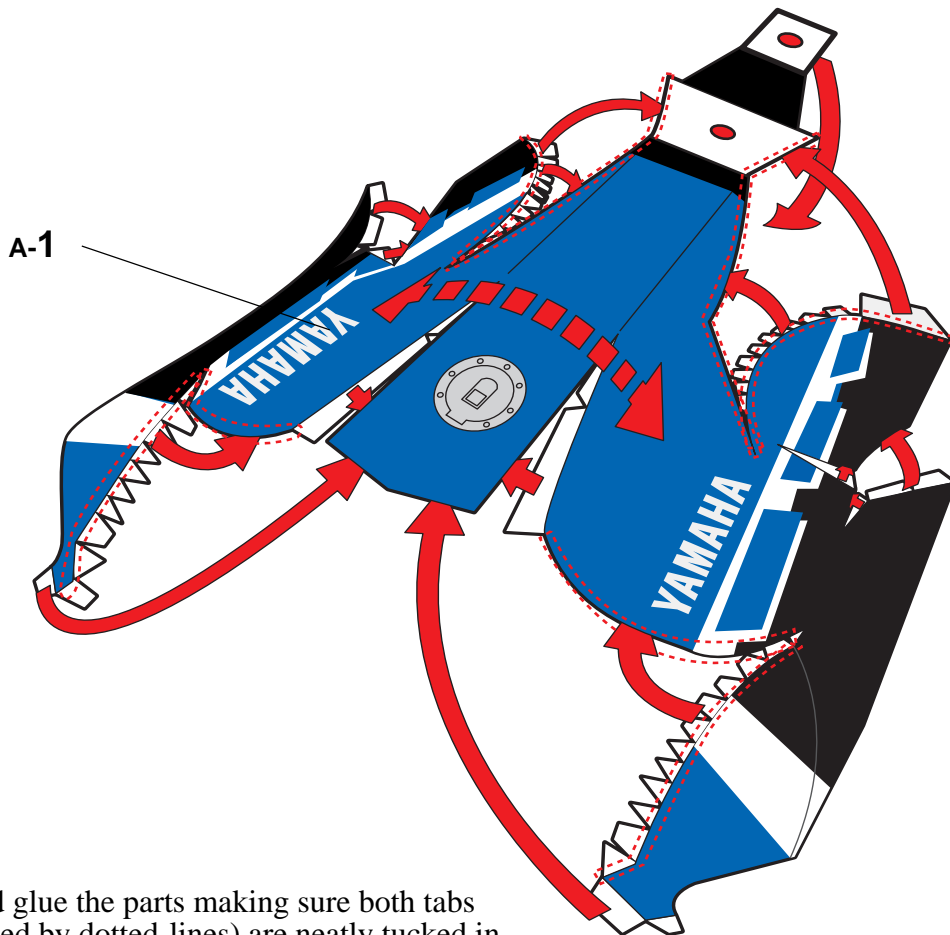
Indication of Working Methods

 Fold or Curve  Glue

## Fuel Tank

Sheet A, 1 part in total

Fold each relevant part according to the assembly symbols.



Fold and glue the parts making sure both tabs (illustrated by dotted-lines) are neatly tucked in.

Reference photo



## 2 Assembling the Steering Column

First, assemble each component by following the working method and markings. Then, refer to the illustration and photos below to glue the parts together.

Indication of Working Methods



Fold or Curve



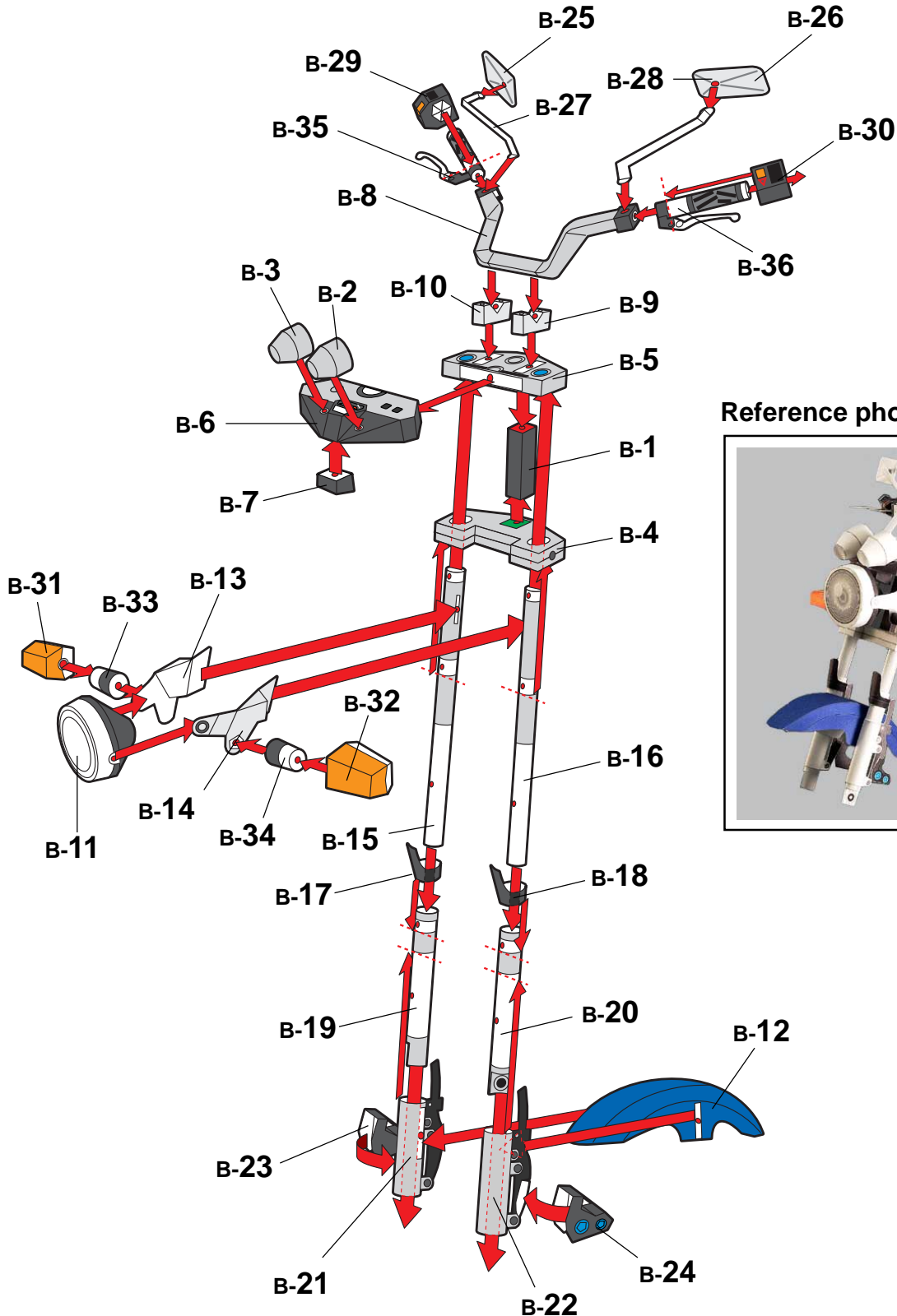
Glue

### Steering column

Sheet B, 36 parts in total

Fold each relevant part according to the assembly symbols.

Please use the ● dots on each component as reference when gluing surfaces.



Reference photo



# 3 Assembling the Frame

First, assemble each component by following the working method and markings. Then, refer to the illustration and photos below to glue the parts together.

Indication of Working Methods


 Fold or Curve  Glue

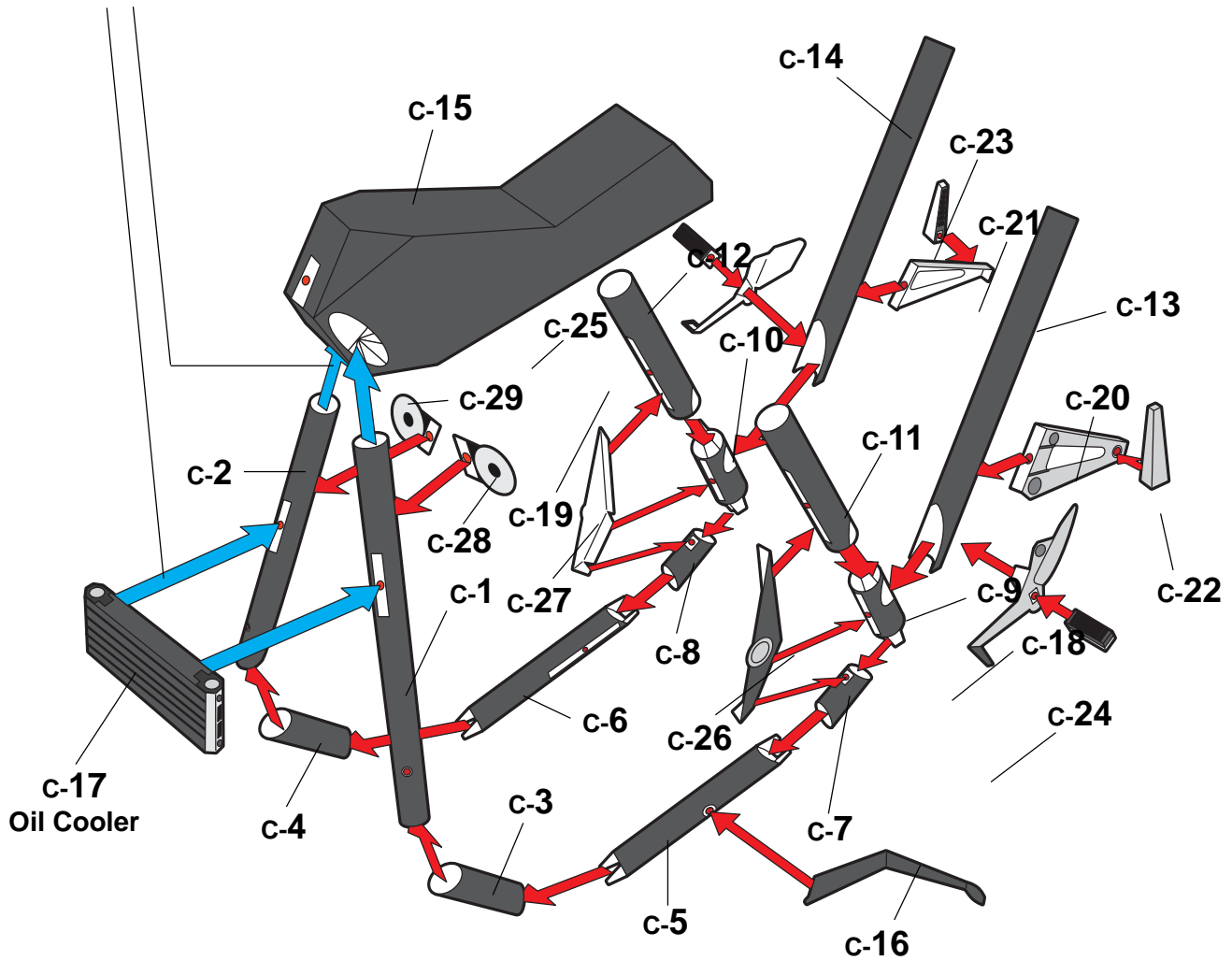
## Frame

Sheet C, 29 parts in total

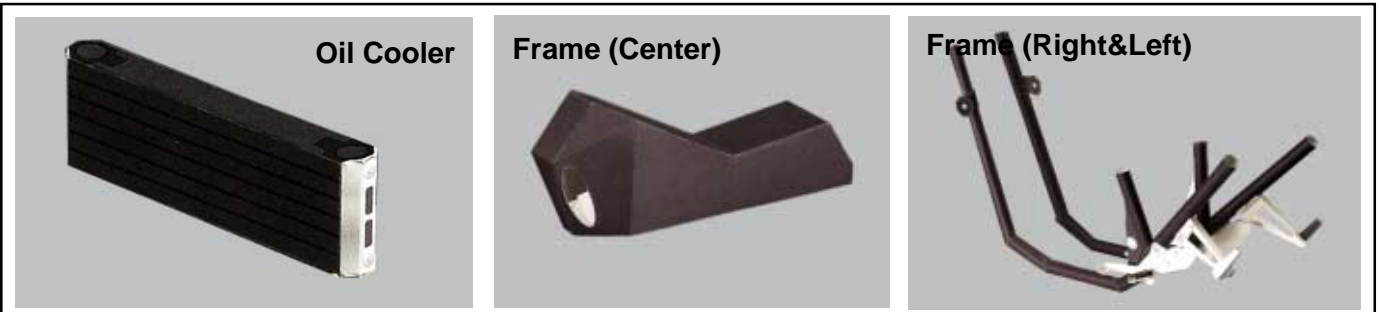
Fold each relevant part according to the assembly symbols.

Please use the ● dots on each component as reference when gluing surfaces.

 in the diagram indicates where the parts are to be glued later.  
Please do not glue parts at this stage.



### Reference photo



# 4 Assembling the Engine

First, assemble each component by following the working method and markings. Then, refer to the illustration and photos below to glue the parts together.

Indication of Working Methods



Fold or Curve



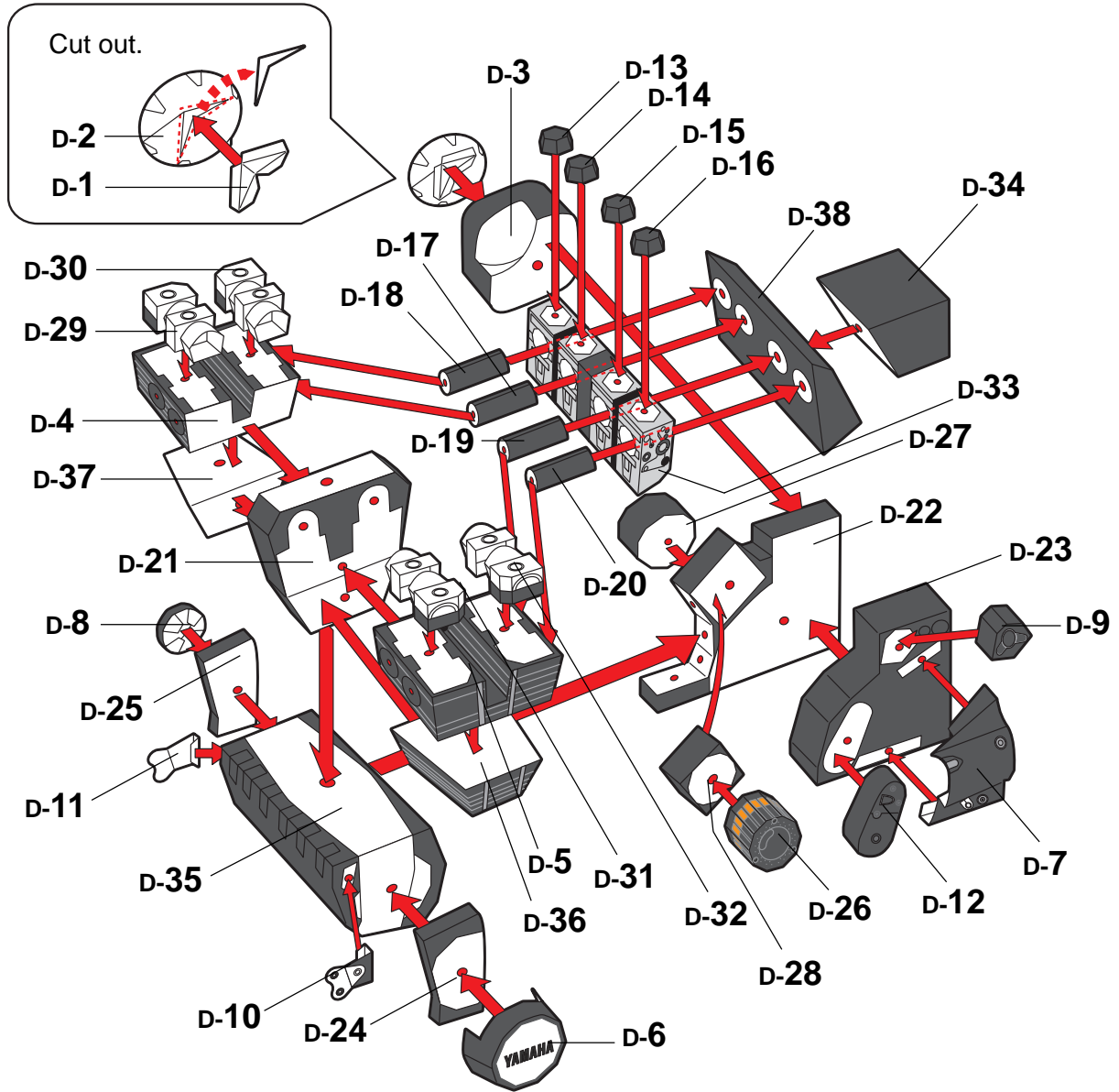
Glue

## Engine

Sheet D, 38 parts in total

Fold each relevant part according to the assembly symbols.

Please use the ● dots on each component as reference when gluing surfaces.



Reference photo



# 5 Assembling the Exhaust

First, assemble each component by following the working method and markings. Then, refer to the illustration and photos below to glue the parts together.

Indication of Working Methods



Fold or Curve



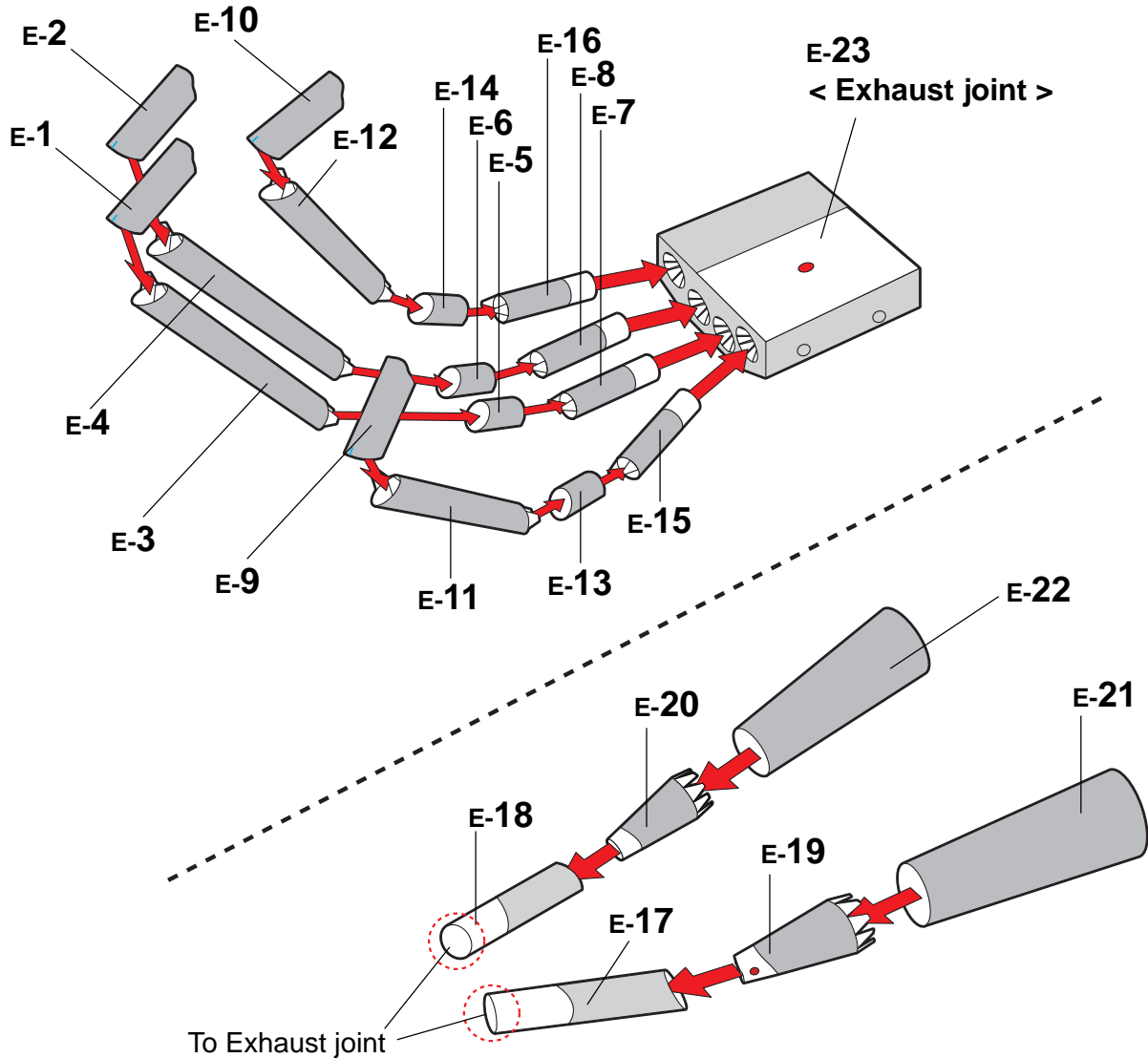
Glue

## Exhaust

Sheet E, 23 parts in total

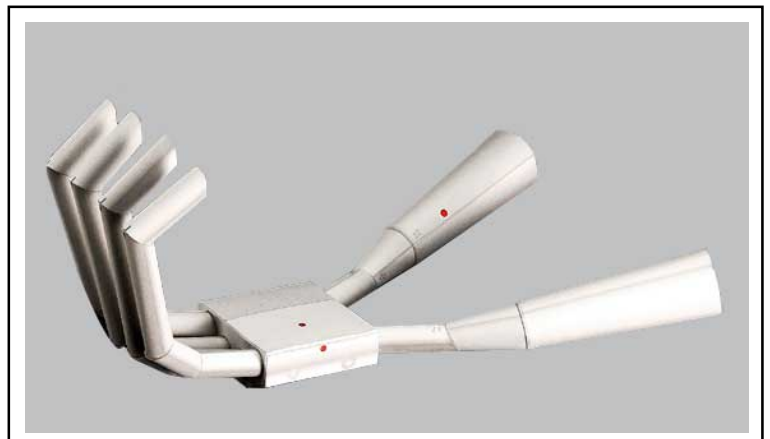
Fold each relevant part according to the assembly symbols.

Please use the ● dots on each component as reference when gluing surfaces.



### Reference photo

Referring to the photo on the right, be careful of the angle when gluing each part.



## 6 Assembling the Seat and Side Cover , Rear Arm

First, assemble each component by following the working method and markings. Then, refer to the illustration and photos below to glue the parts together.

Indication of Working Methods



Fold or Curve



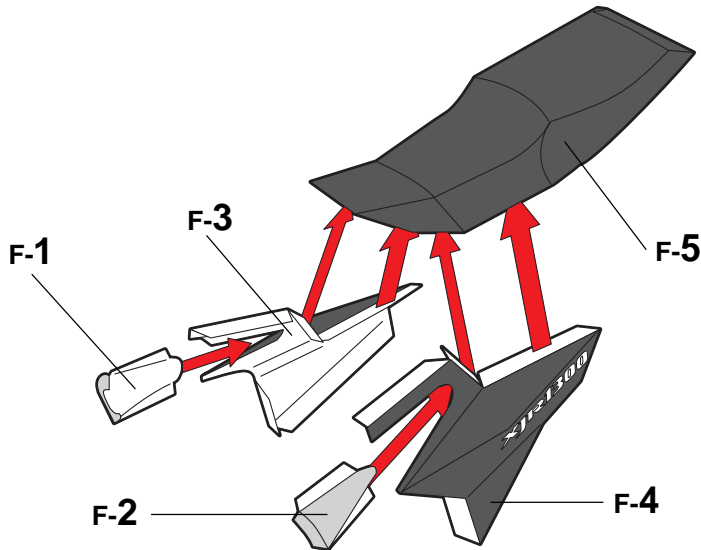
Glue

### Seat and Side Cover

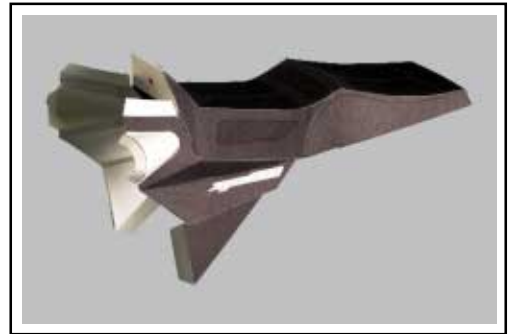
Sheet F, 5 parts in total

Fold each relevant part according to the assembly symbols.

Please use the ● dots on each component as reference when gluing surfaces.



Reference photo

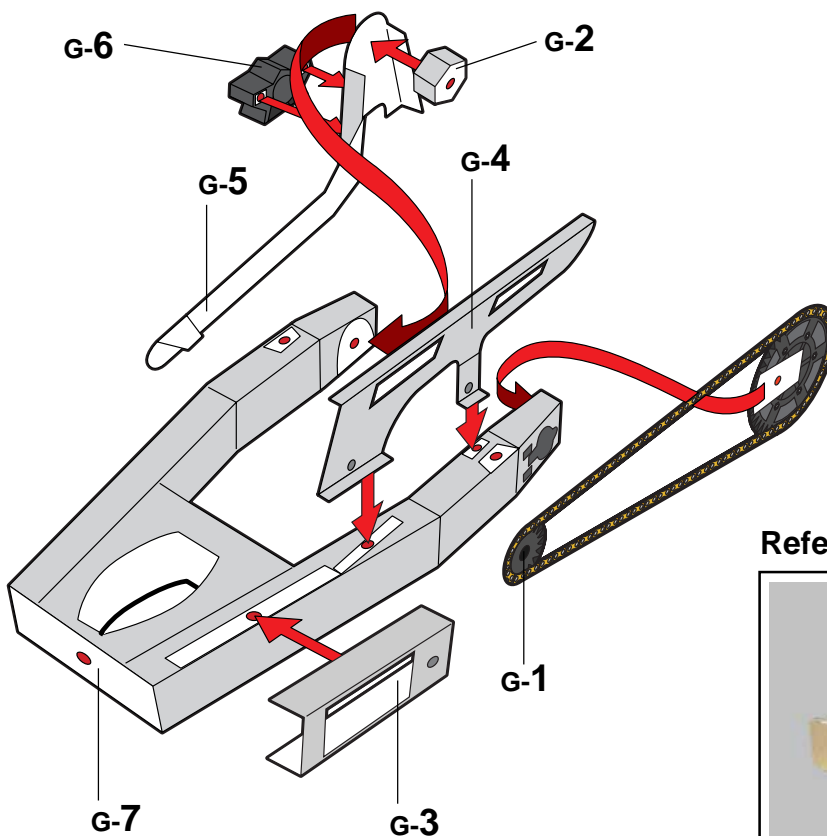


### Rear Arm

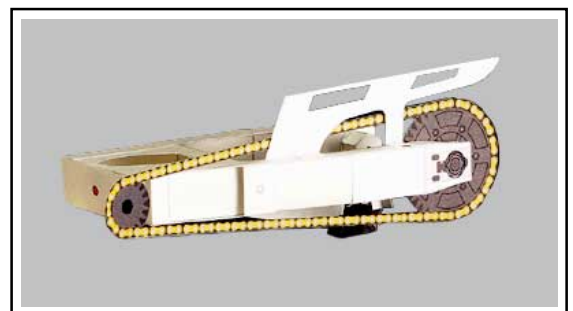
Sheet G, 7 parts in total

Fold each relevant part according to the assembly symbols.

Please use the ● dots on each component as reference when gluing surfaces.



Reference photo





# 7 Assembling the Rear Suspensions and Rear Fender

First, assemble each component by following the working method and markings. Then, refer to the illustration and photos below to glue the parts together.

Indication of Working Methods

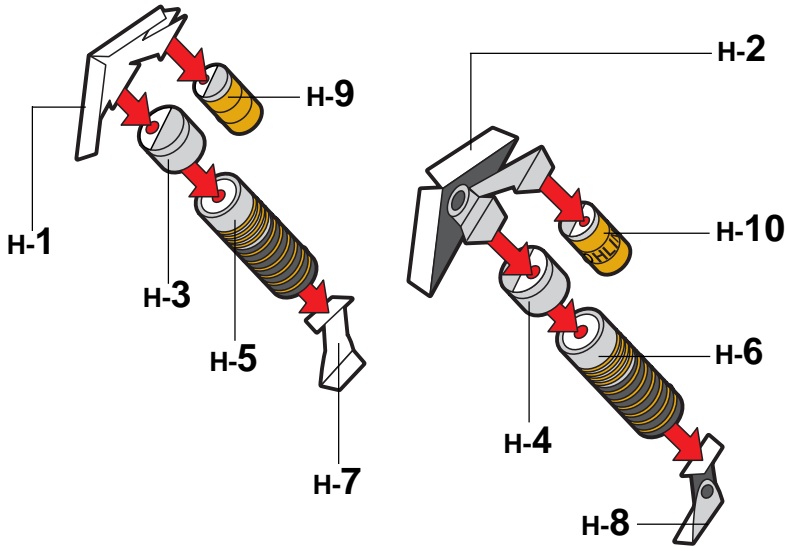
 Fold or Curve
  Glue

## Rear Suspensions

Sheet H, 10 parts in total

Fold each relevant part according to the assembly symbols.

Please use the ● dots on each component as reference when gluing surfaces.



Reference photo

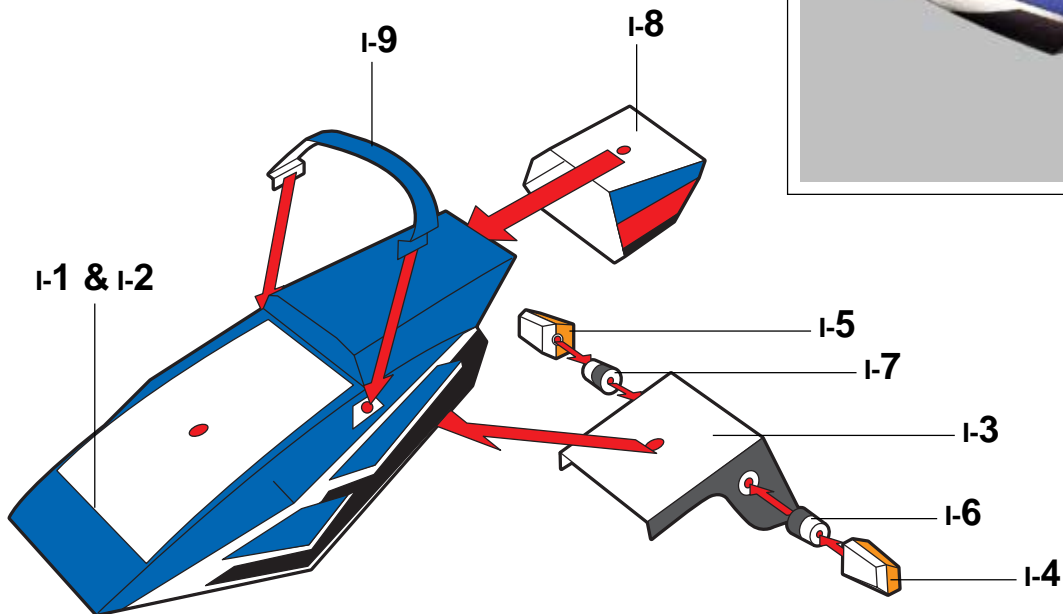


## Rear Fender

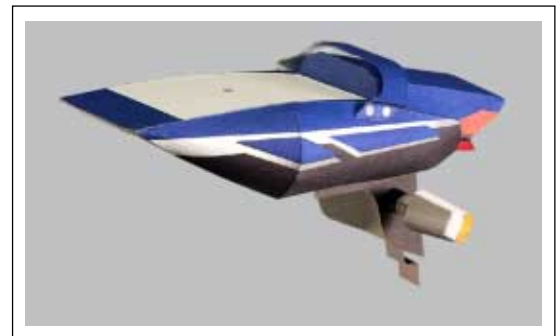
Sheet I, 9 parts in total

Fold each relevant part according to the assembly symbols.

Please use the ● dots on each component as reference when gluing surfaces.



Reference photo



# 8 Assembling the Front Tire

First, assemble each component by following the working method and markings. Then, refer to the illustration and photos below to glue the parts together.

Indication of Working Methods



Fold or Curve



Glue

## Front tire

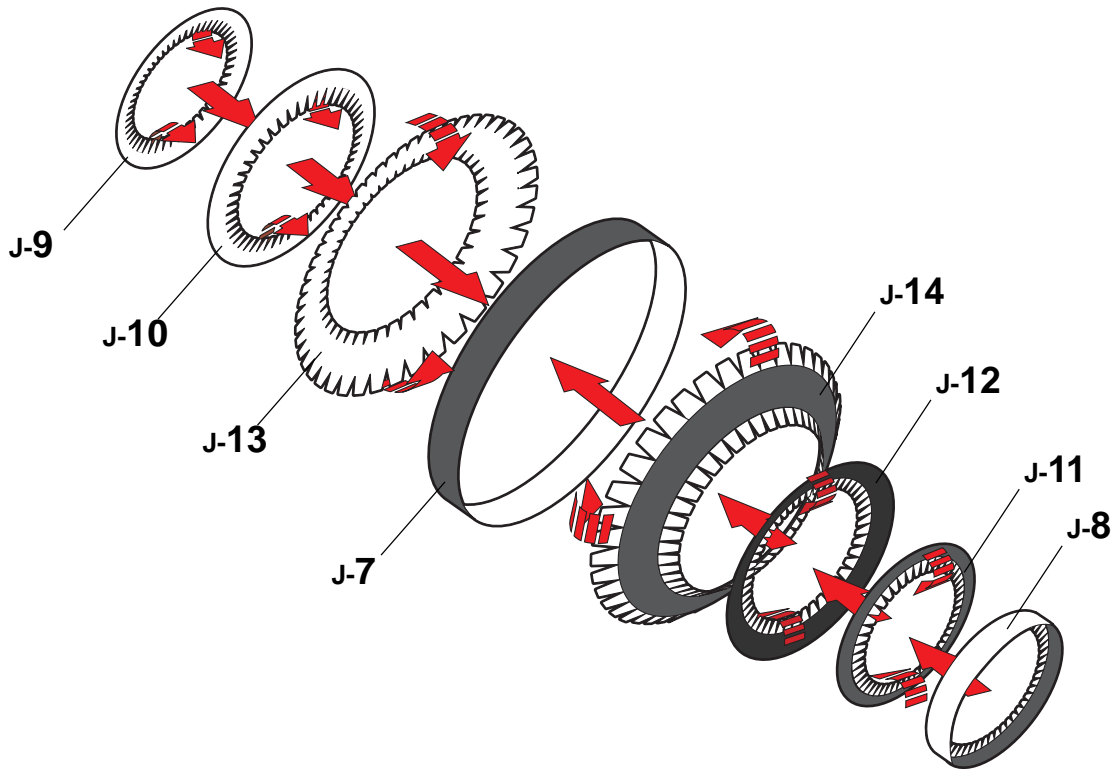
Sheet J, 14 parts in total

Fold each relevant part according to the assembly symbols.

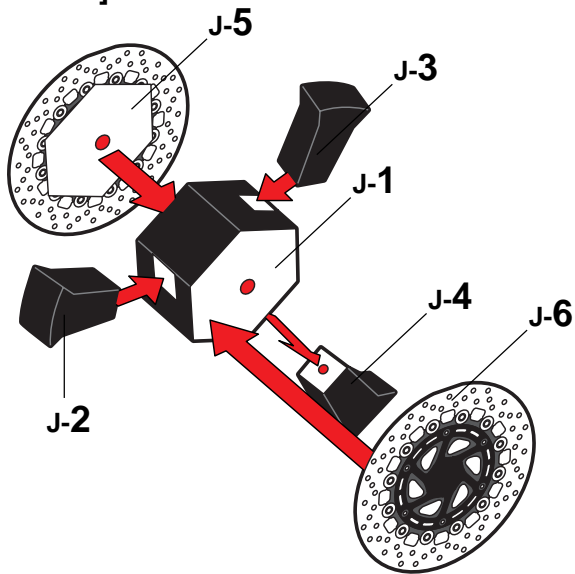
Please use the ● dots on each component as reference when gluing surfaces.

\*Glue the completed front wheel to the assembled front tire.

### [Front tire]



### [Front wheel]



### Reference photo



# 9 Assembling the Rear Tire

First, assemble each component by following the working method and markings. Then, refer to the illustration and photos below to glue the parts together.

Indication of Working Methods



Fold or Curve



Glue

## Rear tire

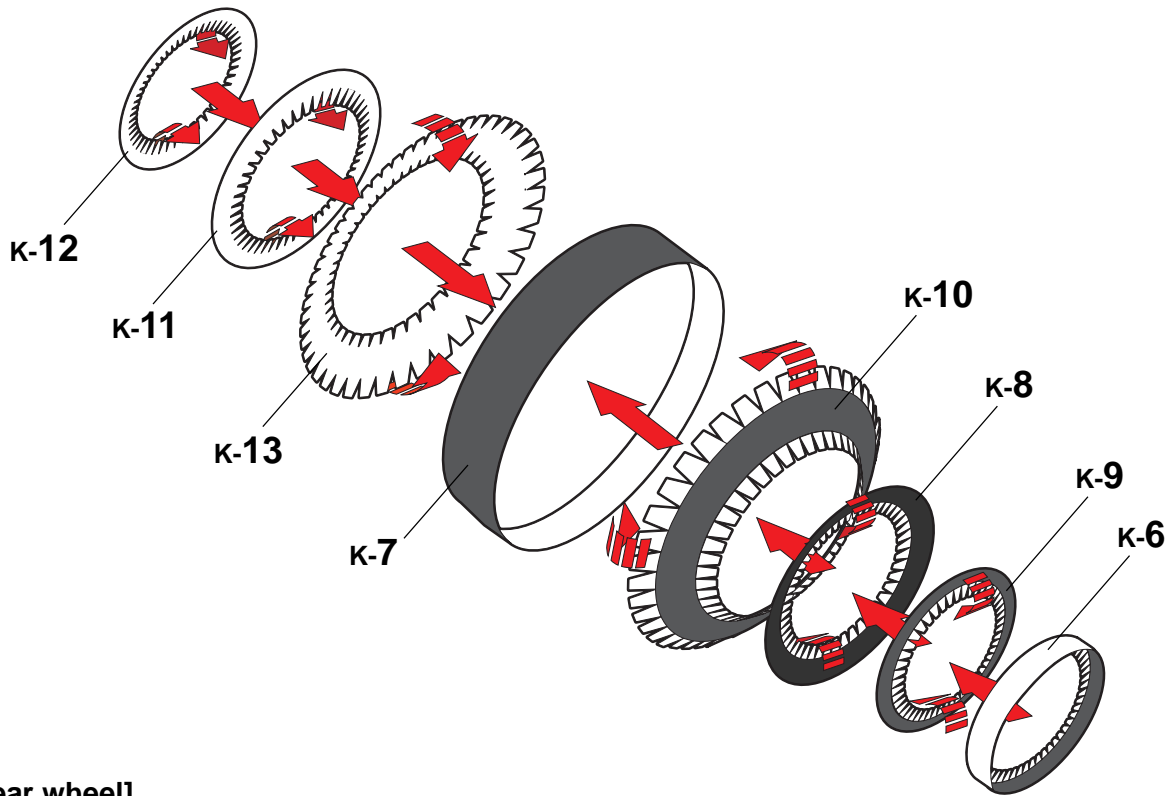
Sheet K, 13 parts in total

Fold each relevant part according to the assembly symbols.

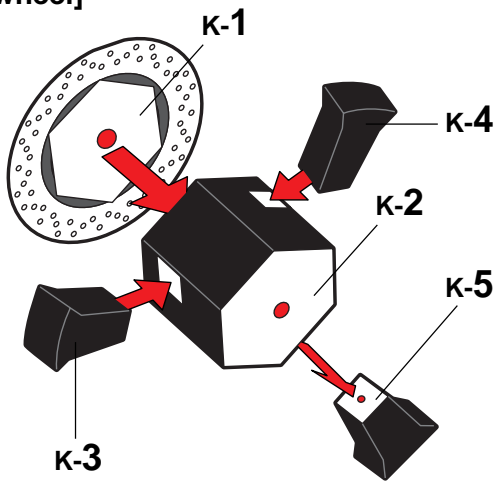
Please use the ● dots on each component as reference when gluing surfaces.

\*Glue the completed rear wheel to the assembled rear tire.

[Rear tire]



[Rear wheel]



Reference photo



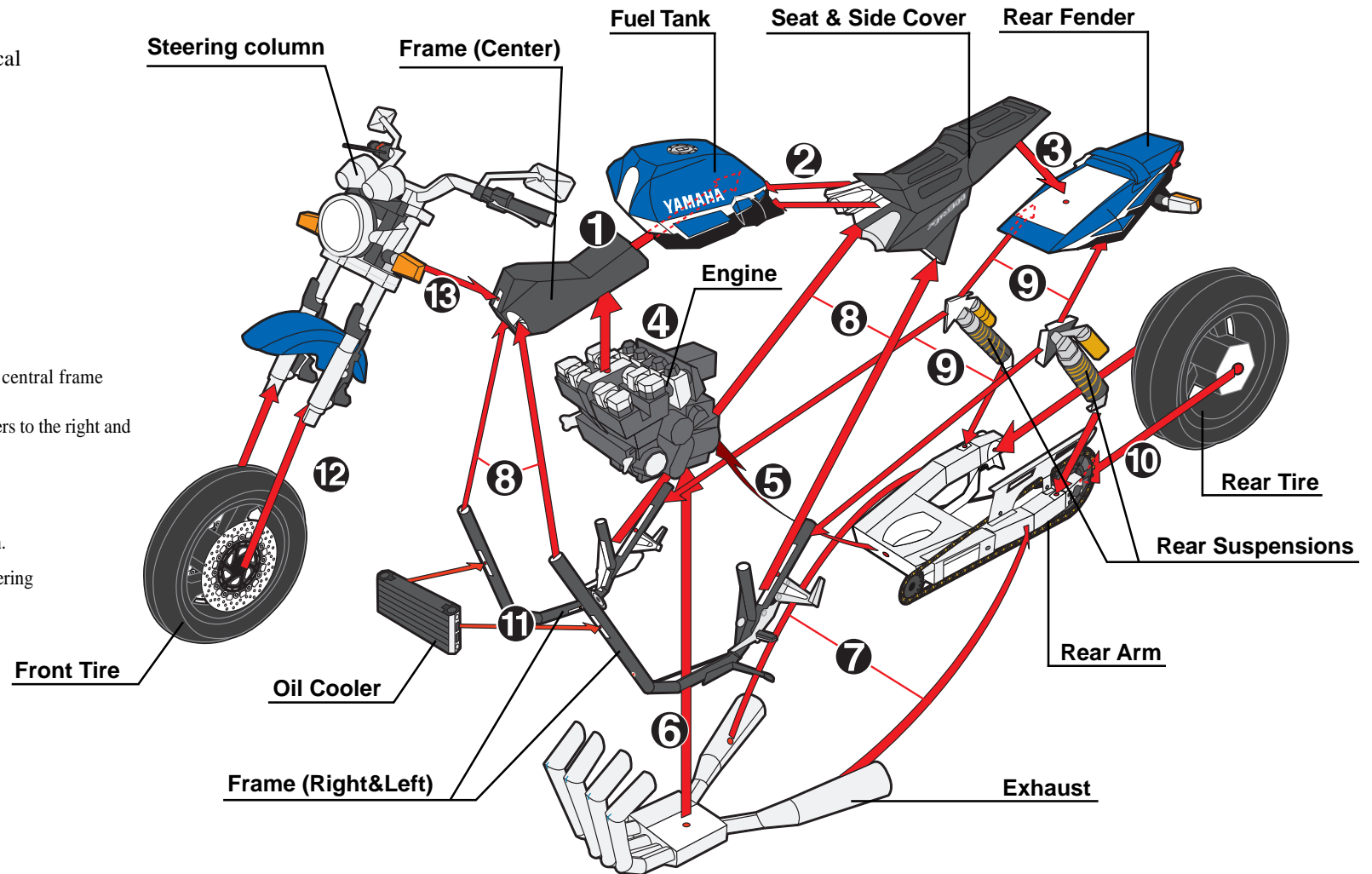
# 10 Finish

Please use the ● dots on each component as reference when gluing surfaces.

## Assembly Instructions

glue the assembled parts in numerical order ① through ⑬ .

- ① Glue the central frame to the fuel tank.
- ② Glue the seat to the fuel tank.
- ③ Glue the seat to the rear fender.
- ④ Glue the engine to the central frame.
- ⑤ Glue the rear arm to the engine.
- ⑥ Glue the exhaust pipe to the engine.
- ⑦ Glue the exhaust pipe to the rear arm.
- ⑧ Insert the right and left frames into the central frame and glue this part to the seat.
- ⑨ Glue the right and left rear shock absorbers to the right and left frame and rear fender.
- ⑩ Glue the rear tire to the rear arm.
- ⑪ Glue the oil cooler to the frame.
- ⑫ Glue the front tire to the steering column.
- ⑬ Complete the assembly by gluing the steering column to the central frame.



# 11 Assembled Model and the List of Parts

Please refer to the photo below when attaching each component.

## RIGHT

### Rear Suspensions

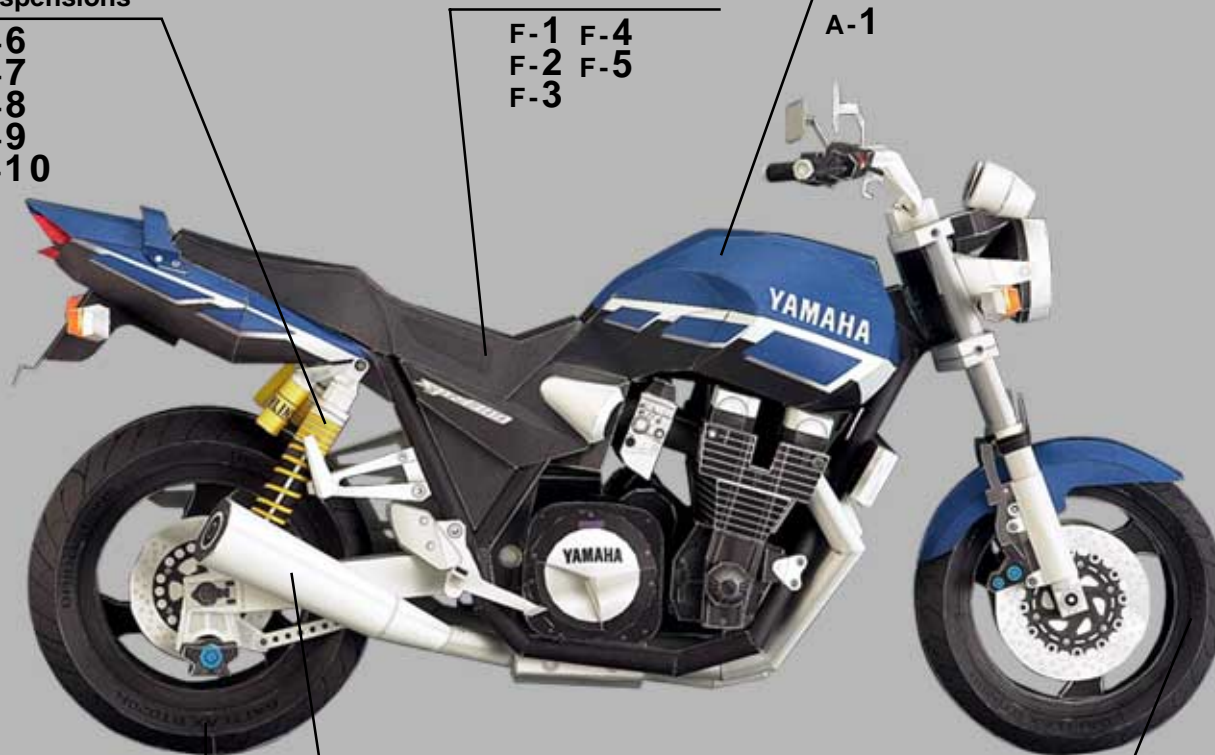
- H-1 H-6
- H-2 H-7
- H-3 H-8
- H-4 H-9
- H-5 H-10

### Seat & Side Cover

- F-1 F-4
- F-2 F-5
- F-3

### Fuel Tank

- A-1



### Rear Tire

- K-1 K-6 K-10
- K-2 K-7 K-11
- K-3 K-8 K-12
- K-4 K-9 K-13
- K-5

### Exhaust

- E-1 E-7 E-13 E-19
- E-2 E-8 E-14 E-20
- E-3 E-9 E-15 E-21
- E-4 E-10 E-16 E-22
- E-5 E-11 E-17 E-23
- E-6 E-12 E-18

### Front Tire

- J-1 J-6 J-11
- J-2 J-7 J-12
- J-3 J-8 J-13
- J-4 J-9 J-14
- J-5 J-10

## FRONT



### Steering

- B-1 B-8 B-15 B-22 B-29
- B-2 B-9 B-16 B-23 B-30
- B-3 B-10 B-17 B-24 B-31
- B-4 B-11 B-18 B-25 B-32
- B-5 B-12 B-19 B-26 B-33
- B-6 B-13 B-20 B-27 B-34
- B-7 B-14 B-21 B-28 B-35
- B-36

# 12 Assembled Model and the List of Parts

Please refer to the photo below when attaching each component.

**LEFT**

**REAR**

**Engine**

- D-1 D-8 D-15 D-23 D-30
- D-2 D-9 D-16 D-24 D-31
- D-3 D-10 D-18 D-25 D-32
- D-4 D-11 D-19 D-26 D-33
- D-5 D-12 D-20 D-27 D-35
- D-6 D-13 D-21 D-28 D-36
- D-7 D-14 D-22 D-29 D-37
- D-38

Oil Cooler  
c-17



**Frame**

- c-1 c-8 c-15 c-23
- c-2 c-9 c-16 c-24
- c-3 c-10 c-18 c-25
- c-4 c-11 c-19 c-26
- c-5 c-12 c-20 c-27
- c-6 c-13 c-21 c-28
- c-7 c-14 c-22 c-29

**Rear Arm**

- G-1 G-4 G-7
- G-2 G-5
- G-3 G-6



**Rear Fender**

- I-1 I-6
- I-2 I-7
- I-3 I-8
- I-4 I-9
- I-5