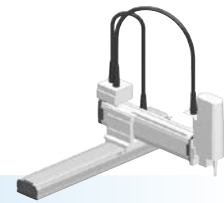


SXYx 3 axes / ZS

- Moving arm type
- Whipover
- Z-axis shaft vertical type



Ordering method

SXYx - S [] [] [] [] **15** [] **RCX340-3** [] [] [] [] [] [] [] [] [] []

Model	Cable	Combination	X-axis stroke ^{Note 1}	Y-axis stroke ^{Note 1}	ZR-axis	Z-axis stroke	Cable	Controller / Number of controllable axes	Safety standard	Option A (OP.A)	Option B (OP.B)	Option C (OP.C)	Option D (OP.D)	Option E (OP.E)	Absolute battery
		M1 M3	15 to 85cm	15 to 35cm	ZS12 ZS6		3L: 3.5m 5L: 5m 10L: 10m								

Specify various controller setting items. RCX340 ▶ **P.678**

Note 1. The total of the X and Y strokes should be 1000mm or less.

Specification

	X-axis	Y-axis	Z-axis: ZS12	Z-axis: ZS6
Axis construction ^{Note 1}	F14H	F14	-	
AC servo motor output (W)	200	100	60	
Repeatability ^{Note 2} (mm)	+/-0.01	+/-0.01	+/-0.02	
Drive system	Ball screw φ15	Ball screw φ15	Ball screw φ12	
Ball screw lead ^{Note 3} (Deceleration ratio) (mm)	20	20	12	6
Maximum speed ^{Note 4} (mm/sec)	1200	1200	1000	500
Moving range (mm)	150 to 850	150 to 350	150	
Robot cable length (m)	Standard: 3.5 Option: 5,10			

Note 1. Use caution that the flame machining (installation holes, tap holes) differs from single-axis robots'.

Note 2. Positioning repeatability in one direction.

Note 3. Leads not listed in the catalog are also available. Contact us for details.

Note 4. When the X-axis stroke is longer than 750mm, resonance of the ball screw may occur depending on the operation conditions (critical speed). In this case, reduce the speed setting on the program by referring to the maximum speeds shown in the table below.

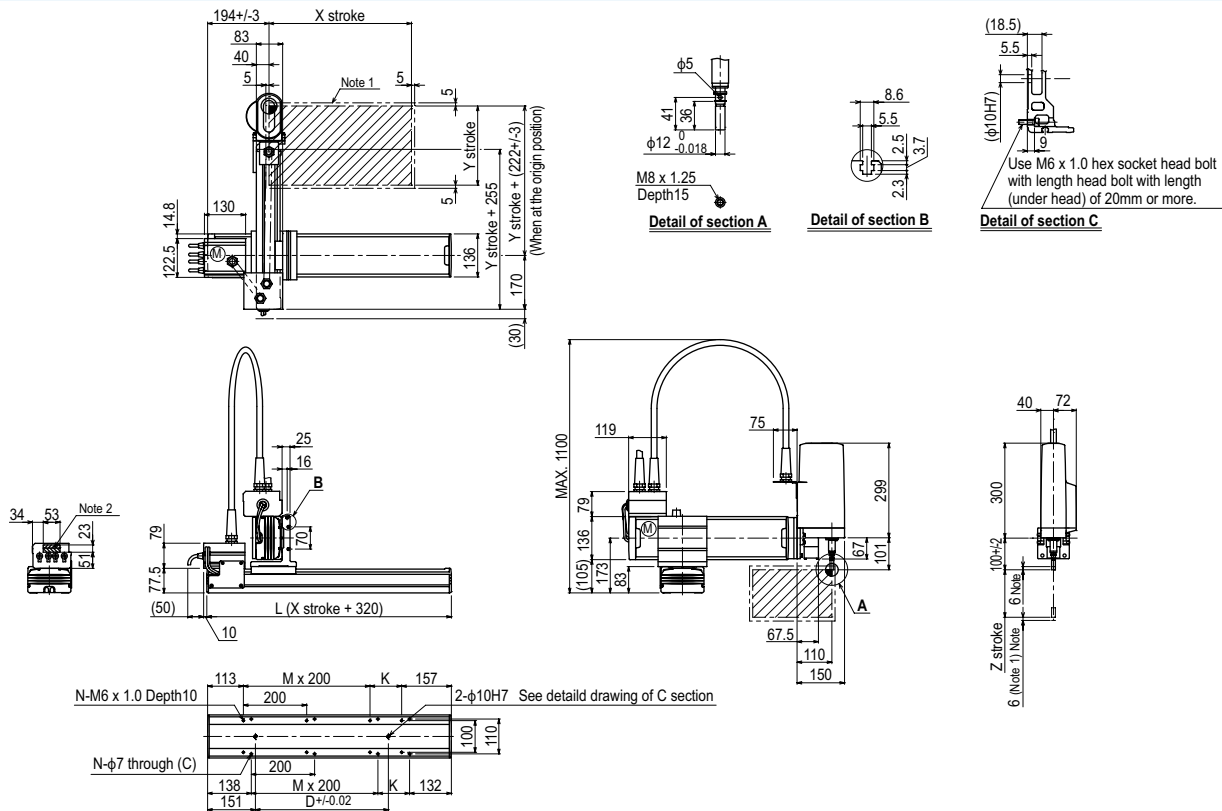
Maximum payload (kg)

Y stroke (mm)	ZS12	ZS6
150 to 350	3	5

Controller

Controller	Operation method
RCX340	Programming / I/O point trace / Remote command / Operation using RS-232C communication

SXYx 3 axes / ZS M1



X stroke ^{Note 3}	150	250	350	450	550	650	750	850
	L	470	570	670	770	870	970	1070
K	200	100	200	100	200	100	200	100
D	240	240	420	420	600	600	780	960
M	0	1	1	2	2	3	3	4
N	4	6	6	8	8	10	10	12
Y stroke ^{Note 3}		150	250	350				
Z stroke		150						
Maximum speed for each stroke (mm/sec) ^{Note 4}	X-axis	1200			960		780	
	Speed setting	-			80%		65%	

Note 1. The moving range when returning to origin and the stop position when stopping by the mechanical stopper.

Note 2. The shaded position indicates a user cable extraction port.

Note 3. The total of the X and Y strokes should be 1000mm or less.

Note 4. When the X-axis stroke is longer than 750mm, resonance of the ball screw may occur depending on the operation conditions (critical speed). In this case, reduce the speed setting on the program by referring to the maximum speeds shown in the table at the left.

- Articulated robots YA
- Linear conveyor modules LCM
- Single-axis robots CX
- Motor-less single-axis actuator Robomity
- Compact single-axis robots TRANSEVO
- Single-axis robots FLIP-X
- Linear motor single-axis robots PHASER
- Cartesian robots XY-X
- SCARA robots YK-X
- Pick & place robots YP-X
- CLEAN
- CONTROLLER INFORMATION
- Arm type
- Gantry type
- Moving arm type
- Pole type
- XZ type