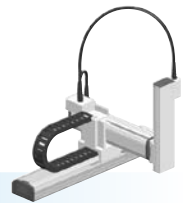


HXYx 3 axes / ZH

● Moving arm type ● Cable carrier ● Z-axis: clamped table / moving base type (200W)



Ordering method

HXYx - C [] [] [] **ZH** [] [] **RCX340-3** [] [] [] [] [] [] [] [] [] [] []

Model Cable Combination X-axis stroke Y-axis stroke ZR-axis Z-axis stroke Cable Controller / Number of controllable axes Safety standard Option A (OP.A) Option B (OP.B) Option C (OP.C) Option D (OP.D) Option E (OP.E) Absolute battery

Specify various controller setting items. RCX340 ▶ **P.678**

Specification

	X-axis	Y-axis	Z-axis
Axis construction ^{Note 1}	F20	F17	F14H-BK
AC servo motor output (W)	600	400	200
Repeatability ^{Note 2} (mm)	+/-0.01	+/-0.01	+/-0.01
Drive system	Ball screw φ20	Ball screw φ20	Ball screw φ15
Ball screw lead ^{Note 3} (Deceleration ratio) (mm)	20	20	5
Maximum speed ^{Note 4} (mm/sec)	1200	1200	300
Moving range (mm)	250 to 1250	250 to 650	250 to 550
Robot cable length (m)	Standard: 3.5 Option: 5,10		

Note 1. Use caution that the flange machining (installation holes, tap holes) differs from single-axis robots.
 Note 2. Positioning repeatability in one direction.
 Note 3. Leads not listed in the catalog are also available. Contact us for details.
 Note 4. When the X-axis stroke is longer than 850mm, resonance of the ball screw may occur depending on the operation conditions (critical speed). In this case, reduce the speed setting on the program by referring to the maximum speeds shown in the table below.

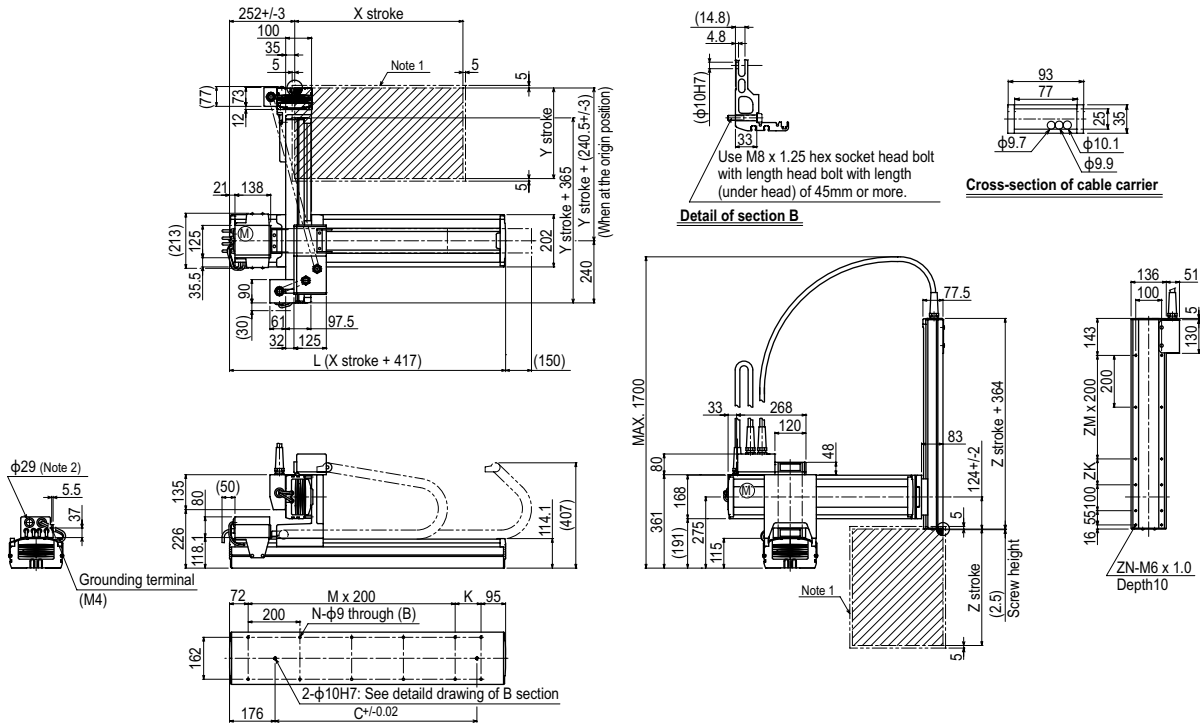
Maximum payload (kg)

Y stroke (mm)	Z stroke (mm)			
	250	350	450	550
250	18	18	18	18
350	18	18	18	18
450	18	18	18	18
550	18	17	16	15
650	18	17	16	15

Controller

Controller	Operation method
RCX340	Programming / I/O point trace / Remote command / Operation using RS-232C communication

HXYx 3 axes / ZH M1



X stroke	Y stroke										
	250	350	450	550	650	750	850	950	1050	1150	1250
L	667	767	867	967	1067	1167	1267	1367	1467	1567	1667
K	100	200	100	200	100	200	100	200	100	200	100
C	420	420	600	600	780	780	960	960	1140	1320	1320
M	2	2	3	3	4	4	5	5	6	6	7
N	8	8	10	10	12	12	14	14	16	16	18
Y stroke	250	350	450	550	650						
Z stroke	250	350	450	550							
ZK	100	200	100	200							
ZM	1	1	2	2							
ZN	10	10	12	12							
Maximum speed for each stroke (mm/sec) ^{Note 3}	X-axis		1200			960		840	720	600	480
Speed setting			-			80%		70%	60%	50%	40%

Note 1. The moving range when returning to origin and the stop position when stopping by the mechanical stopper.
 Note 2. User cable extraction port.

Note 3. When the X-axis stroke is longer than 850mm, resonance of the ball screw may occur depending on the operation conditions (critical speed). In this case, reduce the speed setting on the program by referring to the maximum speeds shown in the table at the left.