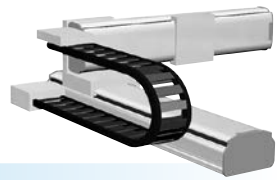


SXYBx 2 axes



● Arm type ● Cable carrier

Ordering method

SXYBx - C

Model	Cable	Combination	X-axis stroke	Y-axis stroke	Cable
A1			15 to 305cm	15 to 55cm	3L: 3.5m
A2					5L: 5m
A3					10L: 10m
A4					

RCX320-2

Controller / Number of controllable axes	Safety standard	Regenerative unit	Option A (OP.A)	Option B (OP.B)	Vision System	Absolute battery
--	-----------------	-------------------	-----------------	-----------------	---------------	------------------

Specify various controller setting items. RCX320 ▶ **P.660**

RCX222

Controller	Usable for CE	Regenerative unit	I/O selection 1	I/O selection 2
------------	---------------	-------------------	-----------------	-----------------

Specify various controller setting items. RCX222 ▶ **P.670**

Note 1. A regenerative unit is required when the maximum speed exceeds 1250mm/sec.

Specification

	X-axis	Y-axis
Axis construction <small>Note 1</small>	B14H	B14
AC servo motor output (W)	200	100
Repeatability <small>Note 2</small> (mm)	+/-0.04	+/-0.04
Drive system	Timing belt	Timing belt
Ball screw lead <small>Note 3</small> (Deceleration ratio) (mm)	Equivalent to lead 25	Equivalent to lead 25
Maximum speed (mm/sec)	1875	1875
Moving range (mm)	150 to 3050	150 to 550
Robot cable length (m)	Standard: 3.5 Option: 5, 10	

Note 1. Use caution that the flame machining (installation holes, tap holes) differs from single-axis robots.
 Note 2. Positioning repeatability in one direction.
 Note 3. Leads not listed in the catalog are also available. Contact us for details.

Maximum payload (kg)

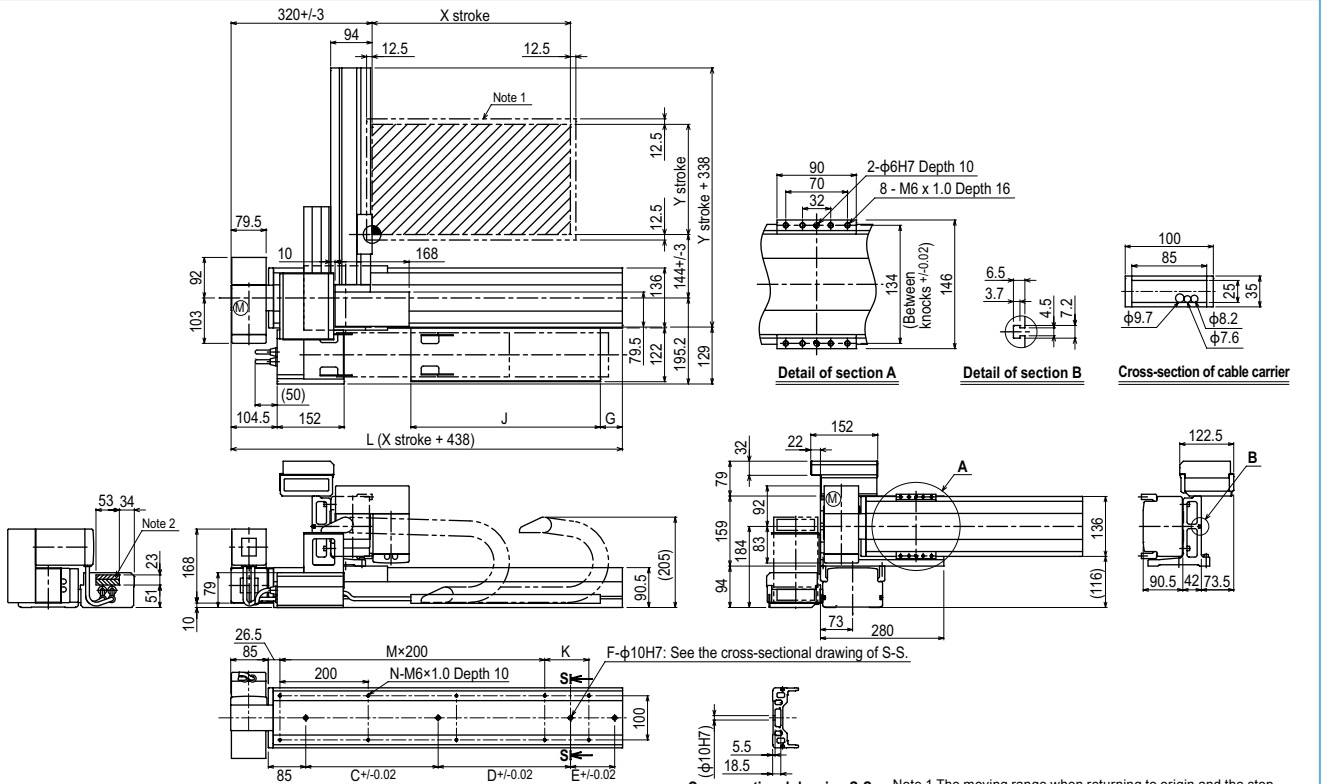
Y stroke (mm)	XY 2 axes
150	14
250	12
350	10
450	8
550	7

Controller

Controller	Operation method
RCX320	Programming / I/O point trace / Remote command / Operation using RS-232C communication
RCX222	

Note. A regenerative unit is required when the maximum speed exceeds 1250mm/sec.

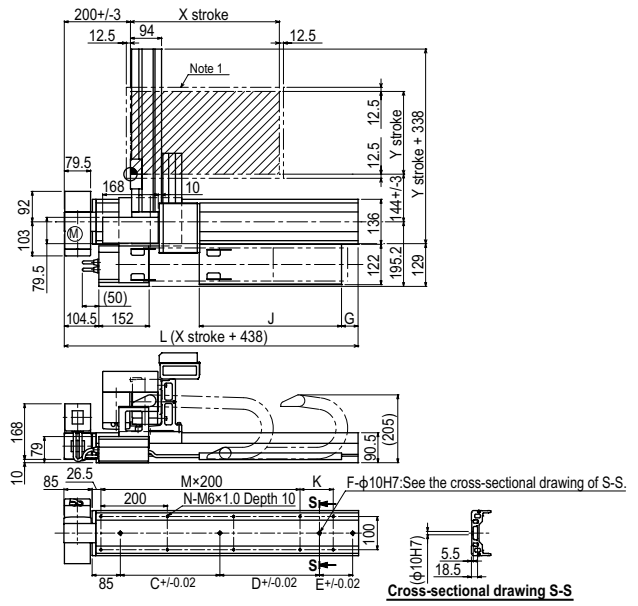
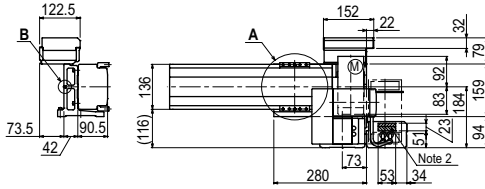
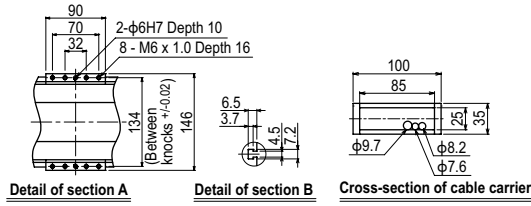
SXYBx 2 axes A1



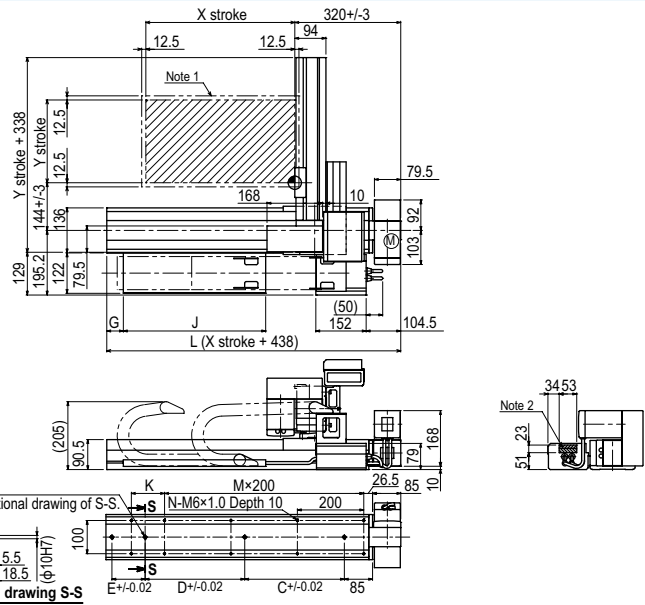
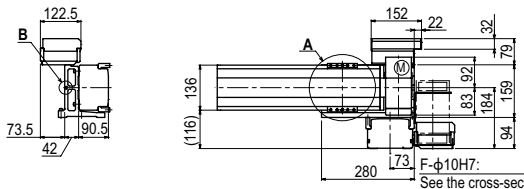
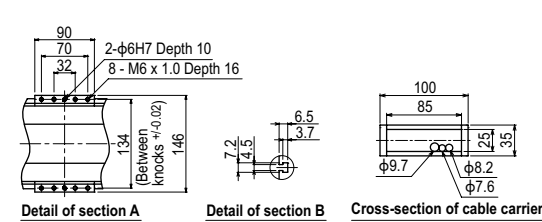
Note 1. The moving range when returning to origin and the stop position when stopping by the mechanical stopper.
 Note 2. The shaded position indicates an user cable extraction port.

X stroke	150	250	350	450	550	650	750	850	950	1050	1150	1250	1350	1450	1550	1650	1750	1850	1950	2050	2150	2250	2350	2450	2550	2650	2750	2850	2950	3050	
L	588	688	788	888	988	1088	1188	1288	1388	1488	1588	1688	1788	1888	1988	2088	2188	2288	2388	2488	2588	2688	2788	2888	2988	3088	3188	3288	3388	3488	
K	200	100	200	100	200	100	200	100	200	100	200	100	200	100	200	100	200	100	200	100	200	100	200	100	200	100	200	100	200	100	200
C	240	420	600	600	780	780	960	960	1140	1140	1140	1140	1140	1140	1140	1140	1140	1140	1140	1140	1140	1140	1140	1140	1140	1140	1140	1140	1140	1140	1140
D	-	-	-	-	-	-	-	-	-	-	240	240	240	420	600	600	780	780	960	960	1140	1140	1140	1140	1140	1140	1140	1140	1140	1140	1140
E	-	-	-	-	-	-	-	-	-	-	-	-	-	-	-	-	-	-	-	-	240	240	420	420	420	600	600	780	780	960	
F	2	2	2	2	2	2	2	2	2	2	3	3	3	3	3	3	3	3	3	3	3	3	3	3	3	3	3	3	3	3	3
M	1	2	2	3	3	4	4	5	5	6	6	7	7	8	8	9	9	10	10	11	11	12	12	13	13	14	14	15	15	16	
N	6	8	8	10	10	12	12	14	14	16	16	18	18	20	20	22	22	24	24	26	26	28	28	30	30	32	32	34	34	36	
G	0	50	0	50	0	50	0	50	0	50	0	50	0	50	0	50	0	50	0	50	0	50	0	50	0	50	0	50	0	50	
J	330	330	430	430	530	530	630	630	730	730	830	830	930	930	1030	1030	1130	1130	1230	1230	1330	1330	1430	1430	1530	1530	1630	1630	1730	1730	
Y stroke	150	250	350	450	550																										

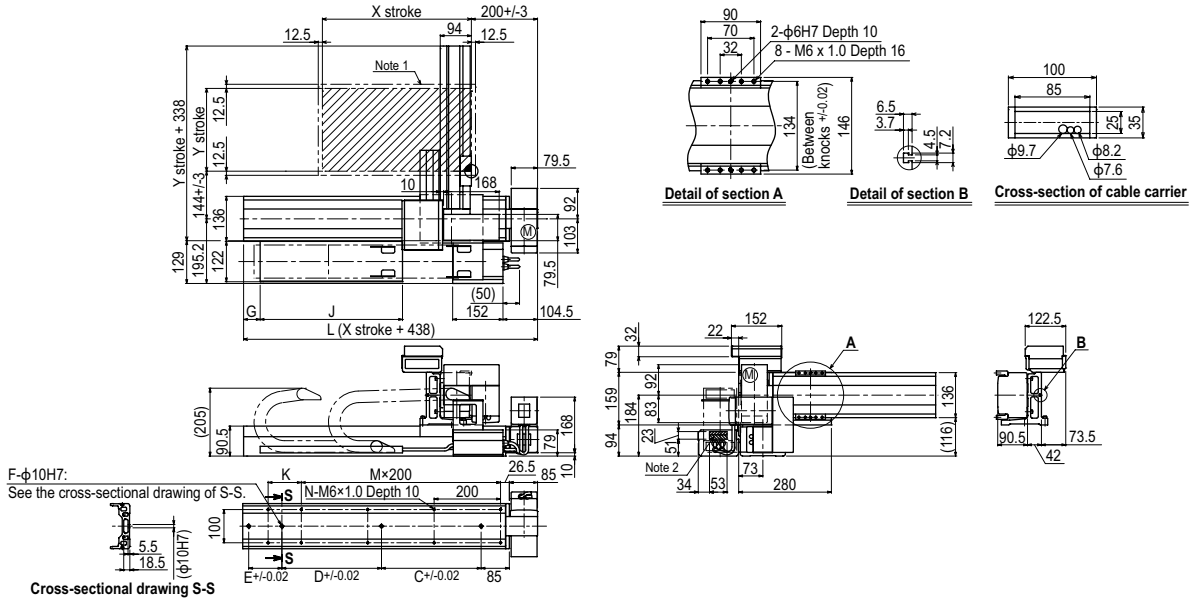
SXYBx 2 axes **A2**



SXYBx 2 axes **A3**



SXYBx 2 axes **A4**



YA	Articulated robots
LCM	Linear conveyor modules
CX	Single-axis robots
Robonity	Motor-less single axis actuator
TRANSERO	Compact single-axis robots
FLIP-X	Single-axis robots
PHASER	Linear motor single-axis robots
XY-X	Cartesian robots
YK-X	SCARA robots
YP-X	Pick & place robots
CLEAN	Clean robots
CONTROLLER	Controller
INFORMATION	Information
Arm type	Arm type
Gantry type	Gantry type
Moving arm type	Moving arm type
Pole type	Pole type
XZ type	XZ type